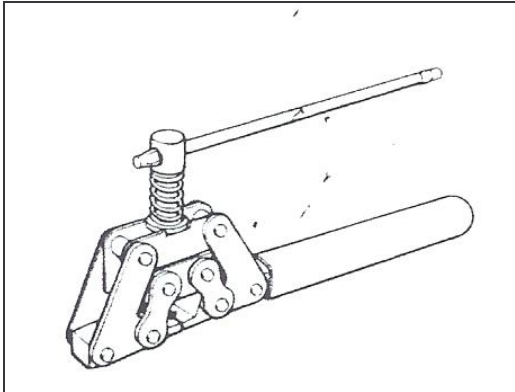
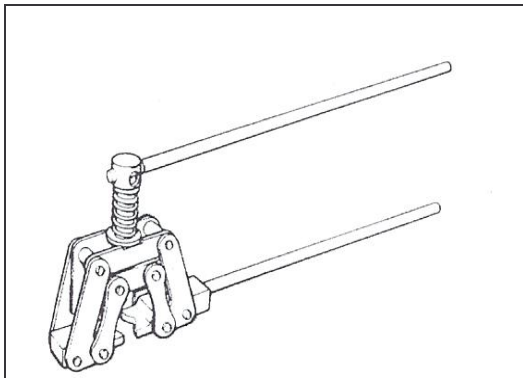


RENOLD



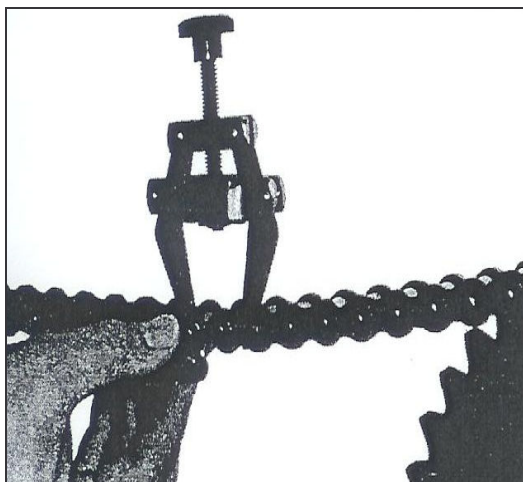
Order No. 931 11 06

Rivet Extractor for Chain Breaking
Screw operated extractors for removing the
plate from the outer link of riveted chain
by forcing out the bearing pins after the
first grinding away the rivet swell
Specs: Pitch max: 5/8"



Order No. 931 11 07

Rivet Extractor for Chain Breaking
Screw operated extractors for removing the
plate from the outer link of riveted chain
by forcing out the bearing pins after the
first grinding away the rivet swell
Specs: Pitch: 3/4" - 1 1/4"



Order No. 900 01 03

The Chain Assembly Set allows easy fit of
the connecting link into the chain ends
Specs: Pitch 3/8" - 3/4"

Order No. 900 01 04

The Chain Assembly Set allows easy fit of
the connecting link into the chain ends
Specs: Pitch max 1" - 2 1/2"